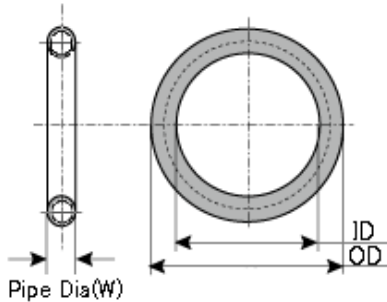




Metal Hollow O-ring G Type□



O-Ring Fig.

«Specification»

- GType Pipe Dia(W) 0.89mm
(OD : 6.40mm ~ 50.80mm)
(ID : 4.57mm ~ 49.02mm)
- Groove : Depth 0.65mm (±0.05mm)
Width: 1.30mm (Min)
R: 0.25mm (Max)

«Material» Stainless 316L

«Features» Range of use

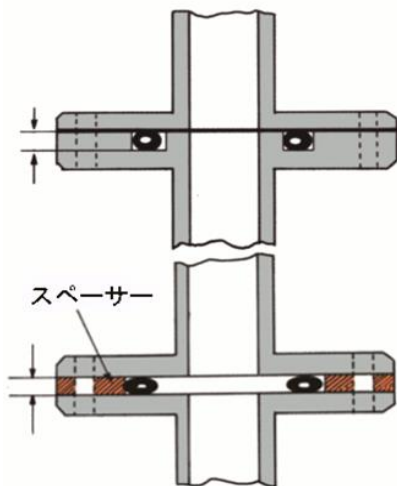
Temperature: -270°C ~ 800°C

Pressure: From 10⁻¹¹ Torr · l · l · sec⁻¹
to 2000Kg / cm²

«Use»

Used in mass flow controllers for
Semiconductor manufacturing equipment

- ◆ Seal the O-ring to the groove or the side spacer where it is installed.
- ◆ The seal surface is finished to a flat mirror surface.
- ◆ Various shapes such as square, oval, etc. can be manufactured.

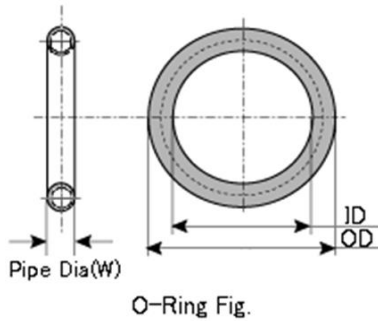


Part No.	OD	ID	Pipe
G-250	6.35	4.57	0.89
G-281	7.14	5.36	0.89
G-312	7.92	6.14	0.89
G-344	8.74	6.96	0.89
G-375	9.53	7.75	0.89
G-406	10.31	8.53	0.89
G-438	11.13	9.35	0.89
G-469	11.91	10.13	0.89
G-500	12.7	10.92	0.89
G-14.19	14.19	12.41	0.89
G-562	14.27	12.49	0.89
G-14.89	14.89	13.11	0.89
G-625	15.88	14.1	0.89
G-16	16	14.22	0.89
G-17	17	15.22	0.89
G-688	17.48	15.7	0.89
G-750	19.05	17.27	0.89
G-20	20	18.22	0.89
G-812	20.62	18.84	0.89
G-22	22	20.22	0.89
G-875	22.23	20.45	0.89
G-938	23.83	22.05	0.89
G-1000	25.4	23.62	0.89
G-1125	28.58	26.8	0.89
G-1250	31.75	29.97	0.89
G-1375	34.93	33.15	0.89
G-1500	38.1	36.32	0.89
G-1625	41.28	39.5	0.89
G-1750	44.5	42.72	0.89
G-1875	47.63	45.85	0.89
G-2000	50.8	49.02	0.89

Other sizes are also available



Metal Hollow O-ring A Type □



≪ ≪ Specificatio

- A-Type Pipe(W) 1.57mm
 (OD : 11.13mm ~ 177.80mm)
 (ID : 7..99mm ~ 174.66mm)
 Groove : Depth 1.25mm (±0.05mm)
 Width 1.90mm (Min)
 R:0.30mm (Max)
 R:0.30mm (Max)

Part No.	OD	ID	Pipe
A-532	13.51	10.37	1.57
A-562	14.27	11.13	1.57
A-594	15.09	11.95	1.57
A-1219	30.96	27.82	1.57
A-610	15.49	12.35	1.57
A-625	15.88	12.74	1.57
A-16	16	12.86	1.57
A-639	16.23	13.09	1.57
A-656	16.66	13.52	1.57
A-17	17	13.86	1.57
A-688	17.48	14.34	1.57
A-18	18	14.86	1.57
A-750	19.05	15.91	1.57
A-781	19.84	16.7	1.57
A-20	20	16.86	1.57
A-812	20.62	17.48	1.57
A-844	21.44	18.3	1.57
A-22	22	18.86	1.57
A-875	22.23	19.09	1.57
A-23	23	19.86	1.57
A-938	23.83	20.69	1.57
A-950	24.13	20.99	1.57
A-984	24.99	21.85	1.57
A-1000	25.4	22.26	1.57
A-26	26	22.86	1.57
A-1062	26.97	23.83	1.57
A-1094	27.79	24.65	1.57
A-28	28	24.86	1.57

Part No.	OD	ID	Pipe
A-1562	39.67	36.53	1.57
A-1625	41.28	38.14	1.57
A-1688	42.88	39.74	1.57
A-1700	43.18	40.04	1.57
A-1750	44.45	41.31	1.57
A-1772	45.01	41.87	1.57
A-1800	45.72	42.58	1.57
A-1830	46.48	43.34	1.57
A-1875	47.63	44.49	1.57
A-1938	49.23	46.09	1.57
A-2000	50.8	47.66	1.57
A-2125	53.98	50.84	1.57
A-2188	55.58	52.44	1.57
A-2250	57.15	54.01	1.57
A-2312	58.72	55.58	1.57
A-2362	59.99	56.85	1.57
A-2375	60.33	57.19	1.57
A-2500	63.5	60.36	1.57
A-2688	68.28	65.14	1.57
A-2750	69.85	66.71	1.57
A-3000	76.2	73.06	1.57
A-3125	79.38	76.24	1.57
A-80	80	76.86	1.57
A-3500	88.9	85.76	1.57
A-3625	92.08	88.94	1.57
A-3875	98.43	95.29	1.57
A-5688	144.5	141.3	1.57
A-7000	177.8	174.7	1.57

Other sizes are also available